

Custom Shop Description of Work - Pistol:

Name _____

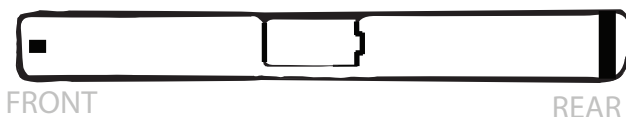
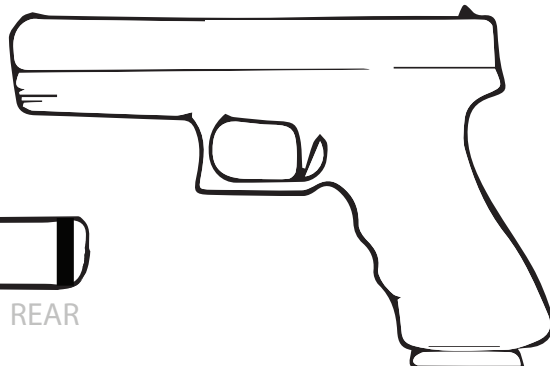
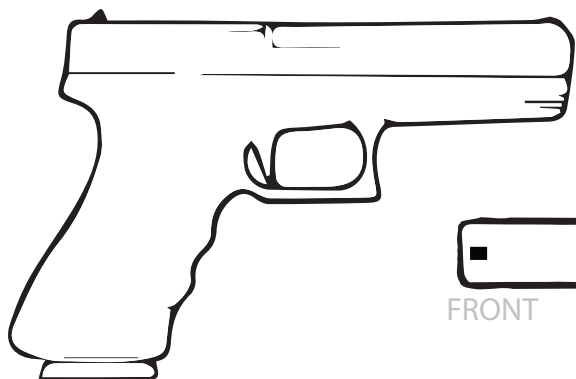
Cell: _____

Text/SMS OK?

Date Received
Estimated Completion Date

SP _____
 CH.IN _____
 LN _____
 CH.OT _____

Full Address: _____ Email _____



Make _____ Mod. _____ S# _____

CERAKOTE:

Write Name of color/s or name of Theme

Part	Single color	2-3 color pattern	Theme
Slide	\$65	\$85	Theme cerakote jobs are: 4 color camo, Kryptek, American Flag, Super Hero etc..
Frame	\$80	\$100	
Complete	\$145	\$185	

MACHINING: All Machining will require at least single color cerakote
 ALL PACKAGES - HALF OFF ANY SINGLE COLOR CERAKOTE OR \$32 OFF PATTERN

Optic Cut PACKAGE	Includes half off single color cerakote OR \$32 OFF any cerakote pattern	\$125	Trijicon RMR Vortex Venom Vortex Viper Leupold Delta
Side Window Cut (Both Sides)		\$70	Point Pro (rear sight removed)
Top Window Cut		\$70	Shield RMS Shield RMSc
Angled/Matching Front Serrations (Circle one)		\$70	Shield SMS JP Jpoint Burris Fastfire 3
Tier One Concealed - Windowed PACKAGE	\$	NOT AVAILABLE ON FACTORY SLIDES	
Tier One Concealed - Solid PACKAGE	\$	NOT AVAILABLE ON FACTORY SLIDES	
REHAB OR REHAB-X SLIDE PACKAGE	\$295	\$365	WITH OPTIC Circle cut above
43X Slide PACKAGE	Available only on 43 and 43X	\$250	\$320 WITH SHIELD RMSc Optic Cut
PERFECT PHORM SLIDE PACKAGE	\$240	\$310	WITH SHIELD RMSc Optic Cut
ALTERNATIVE SLIDE PACKAGE	\$175	\$245	WITH OPTIC Circle cut above
THE CHAD SLIDE PACKAGE	\$140	\$225	WITH OPTIC Circle cut above

FRAMEWORK:

Signature Stipple	All upgrade options included	\$250
Duty Stipple	Select add-ons and pricing below	\$125
Signature Laser Stipple	Only available on Glock - black polymer frame pistols	\$75
Thumb Indexing Cuts/ Stipple		\$20
Single Undercut		\$20
Double Undercut	Includes single undercut	\$35
Fingergroove Removal		\$15
Docked Trigger Guard		\$25
Grip reduction (Glock)		\$75
Trigger Guard Chamfer		\$35

LASER ENGRAVING: Email artwork to: info@culperprecision.com

Setup - Custom Laser Work	required for lasering with customer supplied art	\$40
Per Square Inch	Size of laser mark L X H	\$10
	Deep Etch Standard Depth	COLOR FILL \$45
Trust and NFA Form Marking	Customer must specify ALL language for mark	\$30

DEPOSIT

TOTAL COST

DUE UPON COMPLETION

I, the above named, do hereby authorize Culper Precision to perform the stated modifications on my firearm which are detailed on this work order. I understand that Machining and engraving exposes raw metal which could be subject to corrosion if I opted not to coat the firearm after modification. I authorize, approve, and understand these modifications and consent to the work. I understand that time frames are best guess estimates unless I have explicitly dictated a date of completion and have consented to the applicable fees.